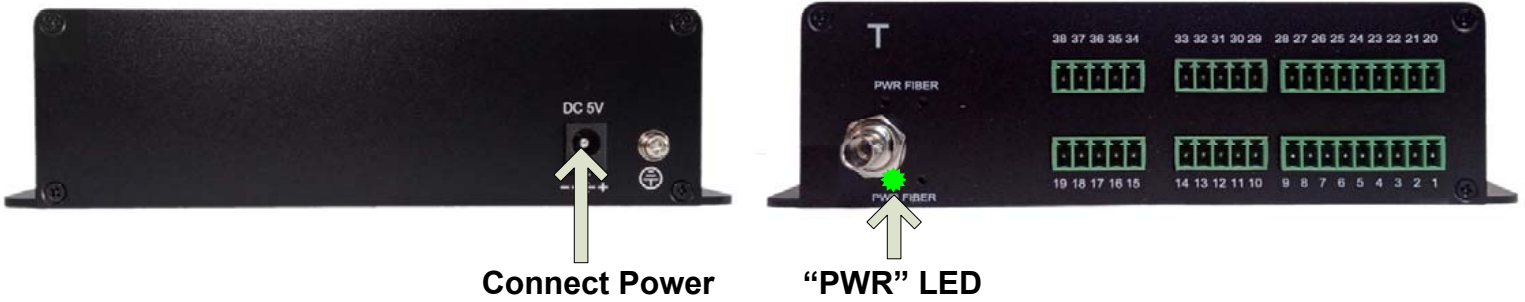


F-32A-TX/RX

Quick Setup Guide

Step 1: Connect Power

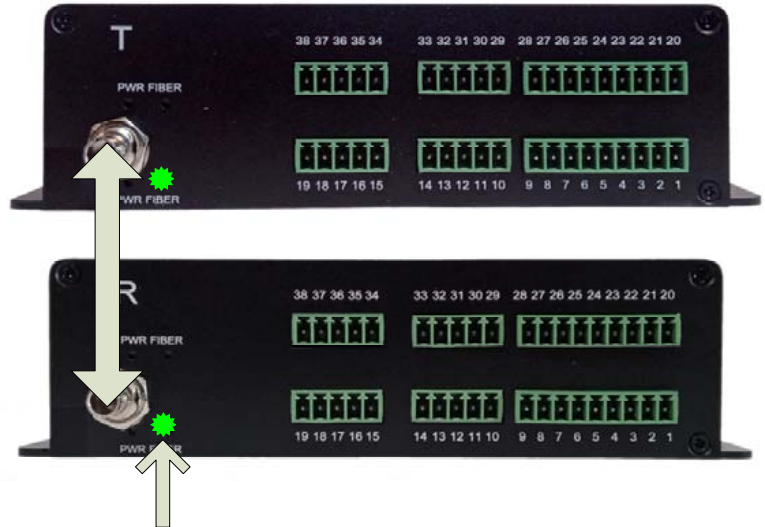
- Connect the included power supplies to the TX (Transmitter) and RX (Receiver)
- PWR LED indicators on both units will light constant GREEN



Step 2: Connect Fiber

Connect Transmitter to Receiver using Single Mode Fiber (Not Included)

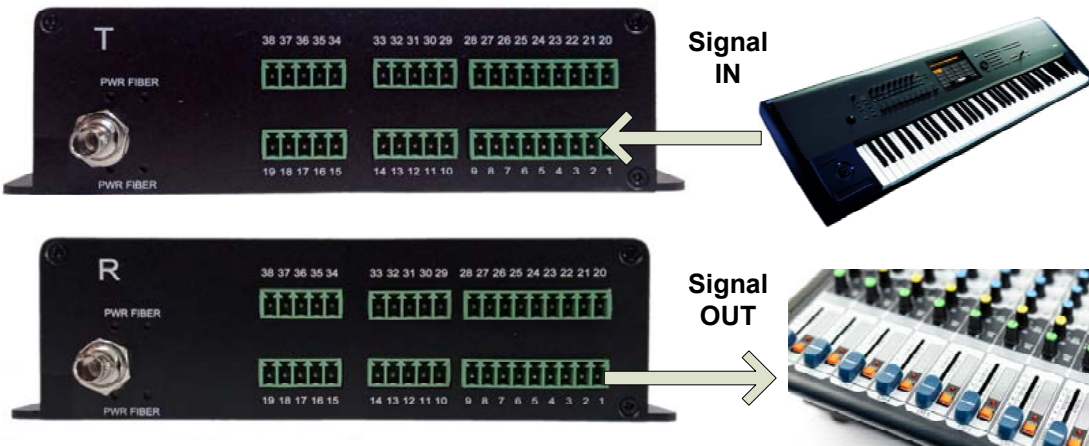
Distance up to 20km



“FIBER” LEDs on both T and R indicate fiber is properly connected

Step 3: Audio Connection (Example)

IMPORTANT:
Audio Output is Analog and Unbalanced



- | | |
|--------------------|--------------------|
| Tx IN1 = Rx Out1 | Tx IN17 = Rx Out17 |
| Tx IN2 = Rx Out2 | Tx IN18 = Rx Out18 |
| Tx IN3 = Rx Out3 | Tx IN19 = Rx Out19 |
| Tx IN4 = Rx Out4 | Tx IN20 = Rx Out20 |
| Tx IN5 = Rx Out5 | Tx IN21 = Rx Out21 |
| Tx IN6 = Rx Out6 | Tx IN22 = Rx Out22 |
| Tx IN7 = Rx Out7 | Tx IN23 = Rx Out23 |
| Tx IN8 = Rx Out8 | Tx IN24 = Rx Out24 |
| Tx IN9 = Rx Out9 | Tx IN25 = Rx Out25 |
| Tx IN10 = Rx Out10 | Tx IN26 = Rx Out26 |
| Tx IN11 = Rx Out11 | Tx IN27 = Rx Out27 |
| Tx IN12 = Rx Out12 | Tx IN28 = Rx Out28 |
| Tx IN13 = Rx Out13 | Tx IN29 = Rx Out29 |
| Tx IN14 = Rx Out14 | Tx IN30 = Rx Out30 |
| Tx IN15 = Rx Out15 | Tx IN31 = Rx Out31 |
| Tx IN16 = Rx Out16 | Tx IN32 = Rx Out32 |

